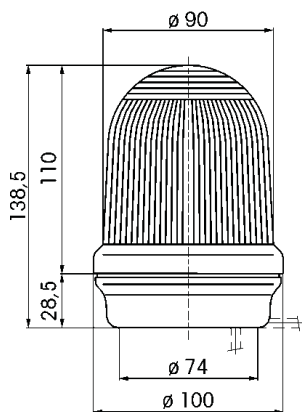


**NEW**

Lasts more than 50.000 hours



**829**

**Multipurpose LED Luminous Signal Device**  
**Interchangeable light effects**  
**IP 65, suitable for outdoor installation**

**LED Steady**

CODE	VOLTAGE V	CONSUMPTION mA
829 <input type="checkbox"/> 30 67	115 ac	≤ 30
829 <input type="checkbox"/> 30 68	230 ac	≤ 30

▲ Apply color code **1** **2** **3** **5**

**LED Steady / Intermittent selectable**

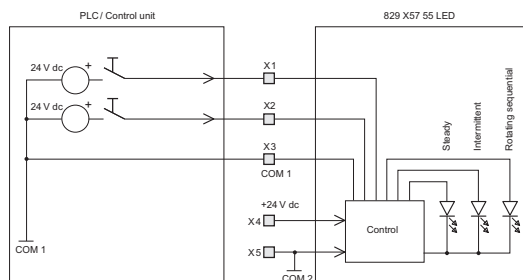
CODE	VOLTAGE V	INTERMITTENT FREQUENCY Hz	CONSUMPTION mA
829 <input type="checkbox"/> 00 55	24 dc	1,5	≤ 150

▲ Apply color code **1** **2** **3** **5**

**LED Steady / Intermittent / Rotating Sequential Selectable with external triggering**

CODE	VOLTAGE V	INTERMITTENT FREQUENCY Hz	ROTATION FREQUENCY	CONSUMPTION mA
829 <input type="checkbox"/> 50 55	24 dc	1,5	180 r.p.m.	≤ 300

▲ Apply color code **1** **2** **3** **5**



Thanks to the external trigger function, the range of light effects offered by the LED Beacon 829 can be set by means of electrically isolated, binary coded 24 V control cables. This guarantees a much greater level of resistance to electrical interference. The machine operator can use the different signals to indicate various machine conditions – without having to make adjustments to the beacon itself. In addition the LED beacon 829 can be used in conjunction with both positive and negative trigger logic.

**LED Double Flash**

CODE	VOLTAGE V	INTERMITTENT FREQUENCY Hz	CONSUMPTION mA
829 <input type="checkbox"/> 20 55	24 dc	1,5	< 100
829 <input type="checkbox"/> 20 68	115-230 ac	1,5	< 100

▲ Apply color code **1** **3** **4**

**COMMON DATA:**

Size (Height x Diameter):

Construction: Base:

Tulip:

Terminal:

Mounting:

138,5 mm x 100mm

ABS/PC black

Translucent polycarbonate

Connection reglet Ø máx. 2,5 mm<sup>2</sup>

Base, Wall and Tube

**ACCESSORIES**

829  30 829  00  
 829  50 829  20

829  00  
 829  50



**975 826 05** *Wall support for base mounting with hidden cable input*

---



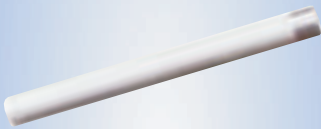
**975 840 90** *ABS base for fixing tube*

---



**975 840 91** *Metallic base for tube Ø 25 mm*

---



**975 840 10** *Aluminum tube Ø 25 mm, long. 100 mm*

---

**975 840 25** *Aluminum tube Ø 25 mm, long. 250 mm*

---

**975 840 40** *Aluminum tube Ø 25 mm, long. 400 mm*

---

**975 840 60** *Aluminum tube Ø 25 mm. Long. 600 mm*

---

**975 840 80** *Aluminum tube Ø 25 mm. Long. 800 mm*

---



**960 000 01** *Wall bracket for machine tool tube fixing*

---



**975 840 01** *Surface Box IP 54 provided with joint allowing lateral access of connection cable*

---



**975 840 04** *Surface Box IP 54 provided with joint allowing lateral access of connection cable and magnetic base*

---



**975 826 03** *Protection cage*

---